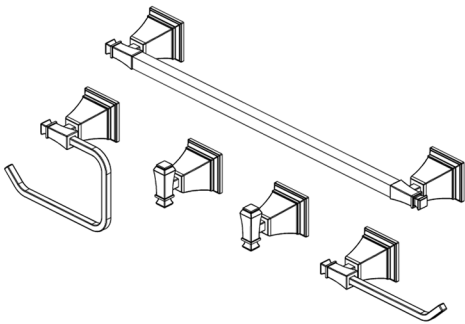


Instructions for Models:

SA-1300



Need Help?

For additional assistance or service call:

SPEAKMAN Company
400 Anchor Mill Road
New Castle, DE 19720

PHONE: 800-537-2107
EMAIL: customerservice@speakmancompany.com
WEB: www.speakmancompany.com

92-3281-R1

What You Need To Know:

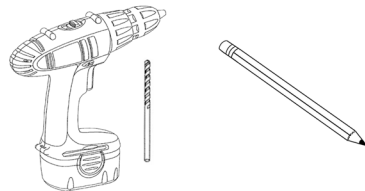
Tools:

Required:

- *Phillips Screwdriver
- *Small Flat Tip Screwdriver

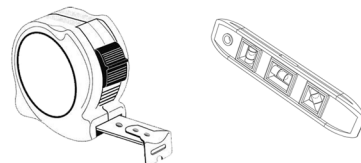


- *Drill with 1/4" bit
- *Pencil



Helpful:

- *Tape Measure
- *Level



Important Notes:

Be sure to read instructions thoroughly before beginning installation. Do not overtighten any connections or damage may occur.

Safety Tips:

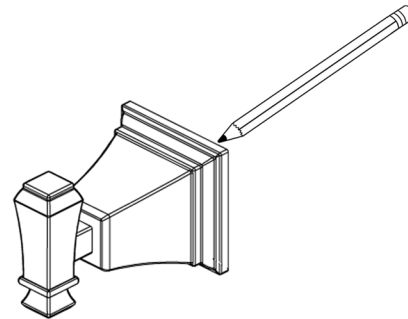
This item is **NOT** designed for use as a grab bar. Do not mount in locations where product is likely to be used as a grab bar.

Use caution when drilling into walls to avoid electrical and plumbing lines hidden within wall.

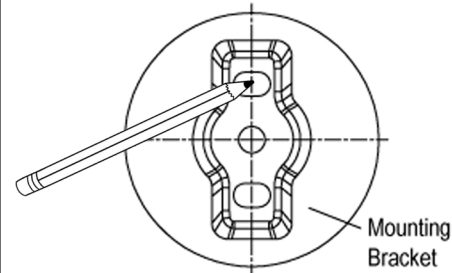
Maintenance:

Clean with a soft, damp cloth only. Do not use scrub pads, detergents or cleansers as they may harm the protective finish of your bath accessories.

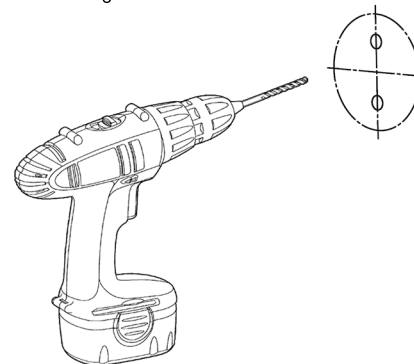
- 1** Loosen set screw at base of each post and remove brackets (if necessary). Determine mounting location of component and lightly trace outline on wall with a pencil



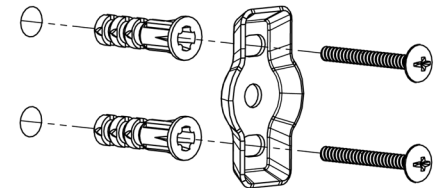
- 2** Center Mounting Bracket within traced outline. Mark the 2 mounting locations with a pencil.



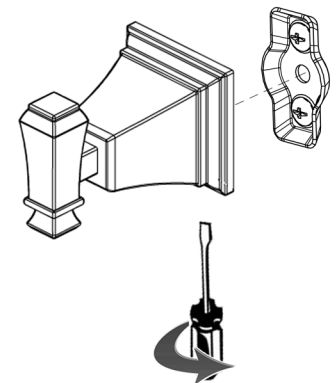
- 3** Drill 1/4" holes in marked locations. If mounting directly into stud or wood wall, secure Mounting Bracket to wall using Mounting Screws without drilling holes.

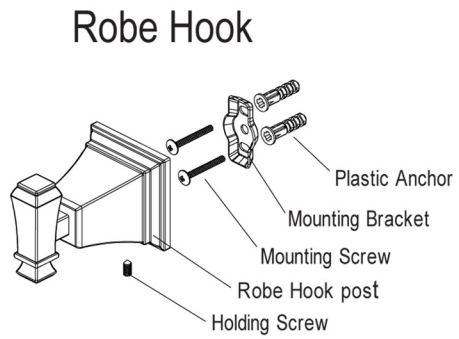
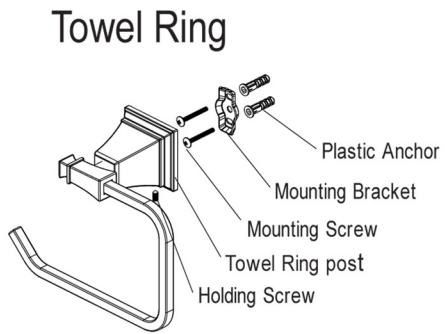
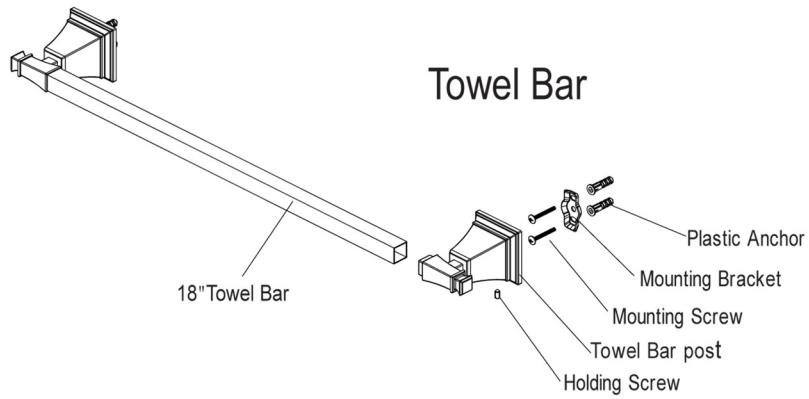


- 4** Insert Plastic Anchors into drilled holes and press in until flush with wall. Secure Mounting Brackets to wall with Mounting Screws using Phillips screwdriver.

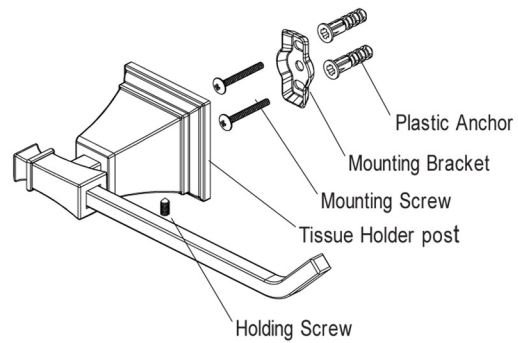


- 5** Locate post over Mounting Bracket and tighten Set Screw with Small Flat Tip Screwdriver. Repeat steps 1 thru 5 for remaining items.

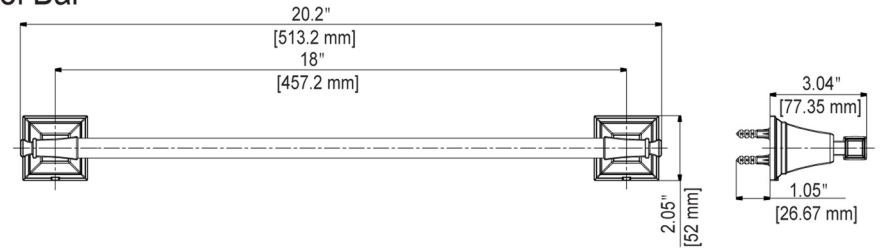




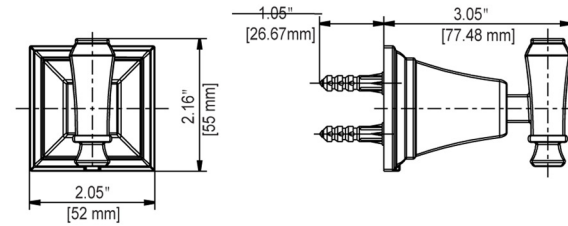
Tissue Holder



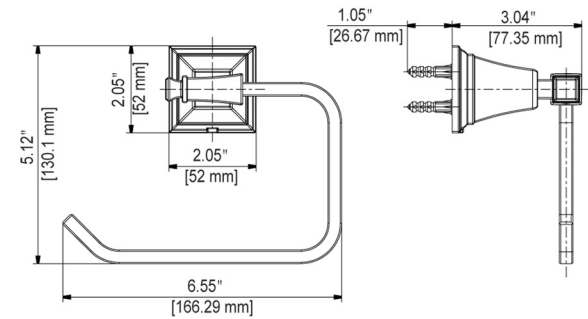
Towel Bar



Robe Hook



Towel Ring



Tissue Holder

